

*all rebars are #4 except for dowels are #5*

① NEW BUSWASH PLAN  
SCALE: 1/8"=1'-0"

Citizen Gen. Contractors Inc.  
 Related Subcontractor's Name: Verdugos General Construction Corp.  
 Project Name: New Bus Washer at the Zerega Bus Depot in the  
 Brorough of the Bronx  
 Contract No: B-40500  
 Specification Sect: 3A/3.3 (Concrete Placement Drawings)  
 Specification Sect: 3B/1.4b (Concrete Reinforcement Drawings)  
 Section Name: Concrete & Concrete Reinforcement  
 No. Pages in Submittal: 6 Date: 5/16/17- 2nd Submission

**SUBMITTAL REVIEW**

APPROVED AS SUBMITTED  REVISE AND RESUBMIT

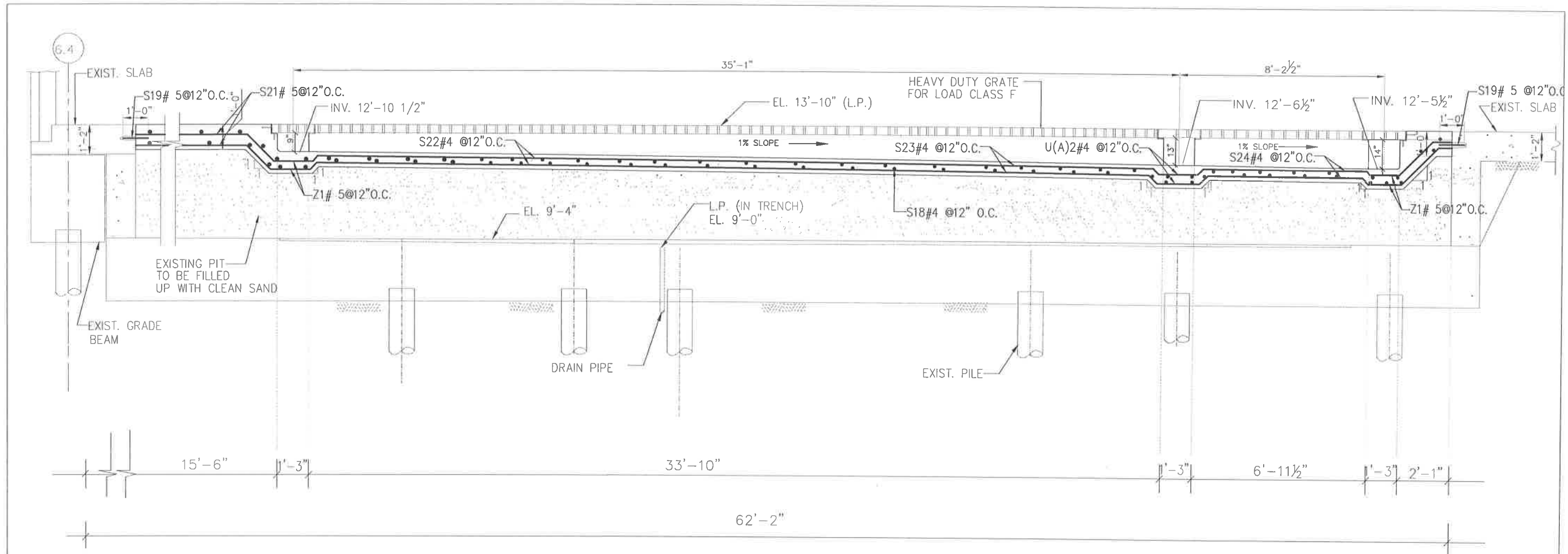
APPROVED AS NOTED  SUBMIT SPECIFIED ITEM

THE SEAL IS ONLY FOR GENERAL COMPLIANCE WITH THE DESIGN CONCEPT OF THE PROJECT AND GENERAL COMPLIANCE WITH THE INFORMATION IN THE CONTRACT DOCUMENTS. ANY ACTION SHOWING NON-COMPLIANCE IS SUBJECT TO THE REQUIREMENTS OF THE PLANS AND SPECIFICATIONS. CONTRACTOR IS RESPONSIBLE FOR DIMENSIONS WHICH SHALL BE FABRICATED AND CORRELATED AT THE JOB SITE FABRICATION PROCESSES AND TECHNIQUES OF CONSTRUCTION; COORDINATION OF HIS WORK WITH THAT OF ALL OTHER TRADES; AND THE SATISFACTORY PERFORMANCE OF HIS WORK


**MTA NYCT/DOB /ENGINEERING**

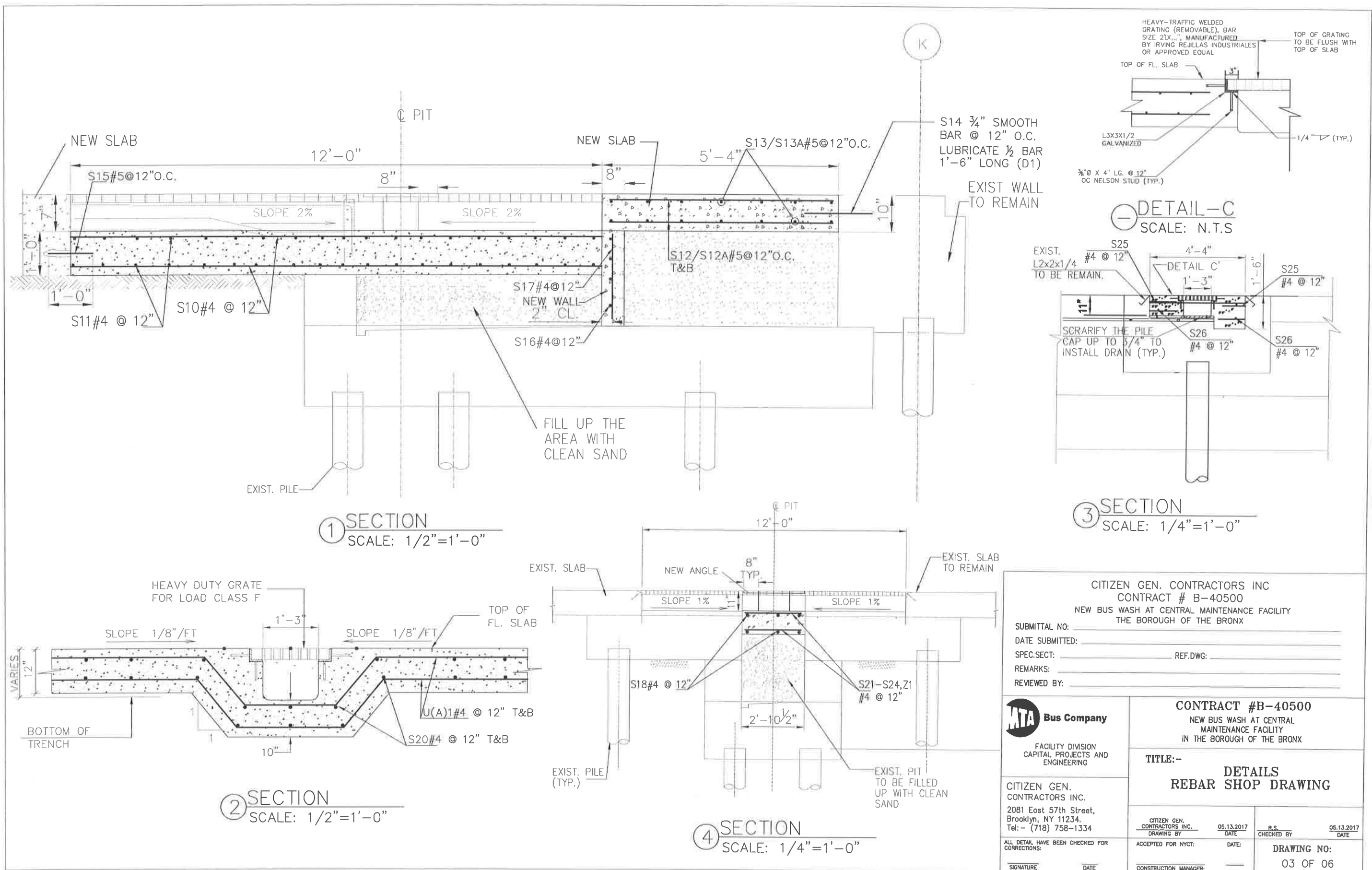
BY: *DB* DATE: *5-30-17*

CITIZEN GEN. CONTRACTORS INC CONTRACT # B-40500 NEW BUS WASH AT CENTRAL MAINTENANCE FACILITY THE BOROUGH OF THE BRONX	
SUBMITTAL NO: _____	REF.DWG: _____
DATE SUBMITTED: _____	
SPEC. SECT: _____	
REMARKS: _____	
REVIEWED BY: _____	
<b>MTA Bus Company</b> <small>FACILITY DIVISION CAPITAL PROJECTS AND ENGINEERING</small>	CONTRACT #B-40500 NEW BUS WASH AT CENTRAL MAINTENANCE FACILITY IN THE BOROUGH OF THE BRONX
	TITLE: - <b>PLAN REBAR SHOP DRAWING</b>
CITIZEN GEN. CONTRACTORS INC. 2081 East 57th Street, Brooklyn, NY 11234. Tel: - (718) 758-1334	
CITIZEN GEN. CONTRACTORS INC. DRAWING BY: _____ DATE: 05.13.2017	R.S. CHECKED BY: _____ DATE: 05.13.2017
ALL DETAIL HAVE BEEN CHECKED FOR CORRECTIONS:	DRAWING NO: 01 OF 06
SIGNATURE _____ DATE _____	ACCEPTED FOR NYCT: _____ DATE: _____
	CONSTRUCTION MANAGER: _____



① SECTION  
SCALE: 1/4"=1'-0"

CITIZEN GEN. CONTRACTORS INC CONTRACT # B-40500 NEW BUS WASH AT CENTRAL MAINTENANCE FACILITY THE BOROUGH OF THE BRONX			
SUBMITTAL NO: _____		REF.DWG: _____	
DATE SUBMITTED: _____		REMARKS: _____	
SPEC.SECT: _____		REVIEWED BY: _____	
 FACILITY DIVISION CAPITAL PROJECTS AND ENGINEERING		<b>CONTRACT #B-40500</b> NEW BUS WASH AT CENTRAL MAINTENANCE FACILITY IN THE BOROUGH OF THE BRONX	
CITIZEN GEN. CONTRACTORS INC. 2081 East 57th Street, Brooklyn, NY 11234. Tel: - (718) 758-1334		<b>TITLE:-</b> <b>SECTION</b> <b>REBAR SHOP DRAWING</b>	
ALL DETAIL HAVE BEEN CHECKED FOR CORRECTIONS:		CITIZEN GEN. CONTRACTORS INC. DRAWING BY: _____ DATE: 05.13.2017	R.S. CHECKED BY: _____ DATE: 05.13.2017
ACCEPTED FOR NYCT: _____ DATE: _____ SIGNATURE: _____ DATE: _____		CONSTRUCTION MANAGER: _____ DATE: _____ <b>DRAWING NO:</b> 02 OF 06	



① SECTION  
SCALE: 1/2"=1'-0"

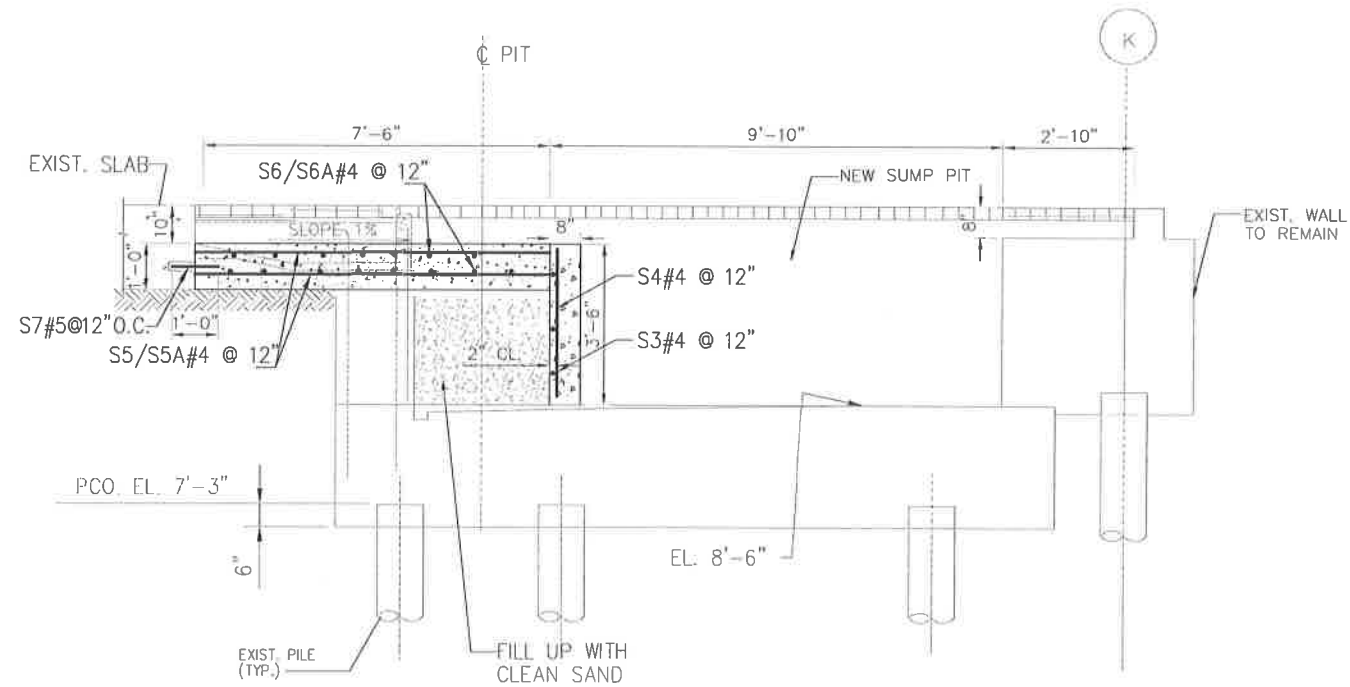
③ SECTION  
SCALE: 1/4"=1'-0"

② SECTION  
SCALE: 1/2"=1'-0"

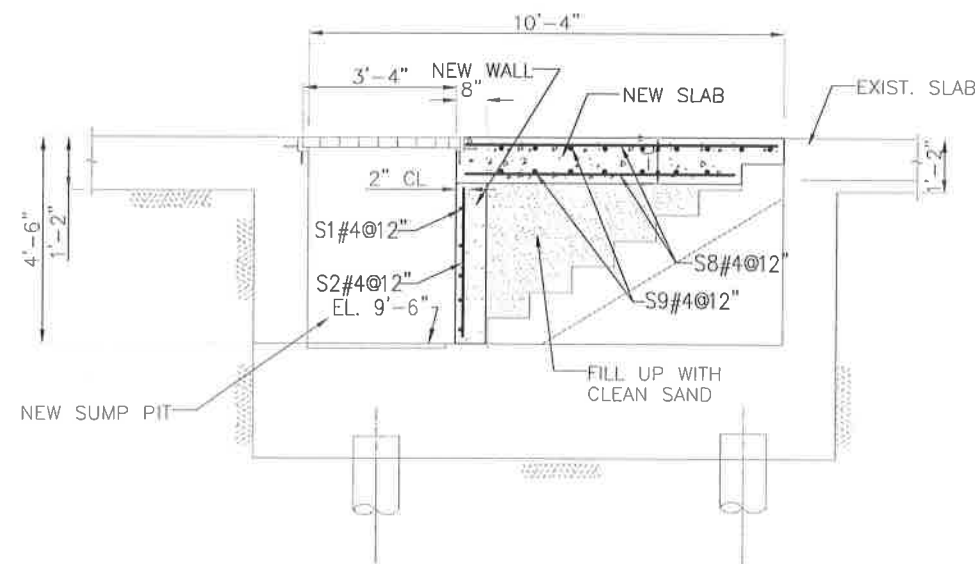
④ SECTION  
SCALE: 1/4"=1'-0"

DETAIL-C  
SCALE: N.T.S

CITIZEN GEN. CONTRACTORS INC CONTRACT # B-40500 NEW BUS WASH AT CENTRAL MAINTENANCE FACILITY THE BOROUGH OF THE BRONX			
SUBMITTAL NO: _____		REF.DWG: _____	
DATE SUBMITTED: _____		REMARKS: _____	
SPEC. SECT: _____		REVIEWED BY: _____	
FACILITY DIVISION CAPITAL PROJECTS AND ENGINEERING		<b>CONTRACT #B-40500</b> NEW BUS WASH AT CENTRAL MAINTENANCE FACILITY IN THE BOROUGH OF THE BRONX	
		<b>TITLE:-</b> <b>DETAILS</b> <b>REBAR SHOP DRAWING</b>	
CITIZEN GEN. CONTRACTORS INC. 2081 East 57th Street, Brooklyn, NY 11234. Tel: - (718) 758-1334		CITIZEN GEN. CONTRACTORS INC. DRAWING BY: _____ DATE: 05.13.2017	R.S. CHECKED BY: _____ DATE: 05.13.2017
ALL DETAILS HAVE BEEN CHECKED FOR CORRECTIONS: _____		ACCEPTED FOR NYCT: _____ DATE: _____	<b>DRAWING NO:</b> 03 OF 06
SIGNATURE _____	DATE _____	CONSTRUCTION MANAGER: _____	



① SECTION  
SCALE: 1/4"=1'-0"



② SECTION  
SCALE: 1/4"=1'-0"

CITIZEN GEN. CONTRACTORS INC  
CONTRACT # B-40500  
NEW BUS WASH AT CENTRAL MAINTENANCE FACILITY  
THE BOROUGH OF THE BRONX

SUBMITTAL NO: \_\_\_\_\_  
DATE SUBMITTED: \_\_\_\_\_  
SPEC. SECT: \_\_\_\_\_ REF. DWG: \_\_\_\_\_  
REMARKS: \_\_\_\_\_  
REVIEWED BY: \_\_\_\_\_



CONTRACT #B-40500  
NEW BUS WASH AT CENTRAL  
MAINTENANCE FACILITY  
IN THE BOROUGH OF THE BRONX

TITLE:-  
**DETAILS  
REBAR SHOP DRAWING**

CITIZEN GEN.  
CONTRACTORS INC.  
2081 East 57th Street,  
Brooklyn, NY 11234.  
Tel: - (718) 758-1334

CITIZEN GEN. CONTRACTORS INC. DRAWING BY	05.13.2017 DATE	R.S. CHECKED BY	05.13.2017 DATE
--	--------------------	--------------------	--------------------

ALL DETAIL HAVE BEEN CHECKED FOR  
CORRECTIONS:

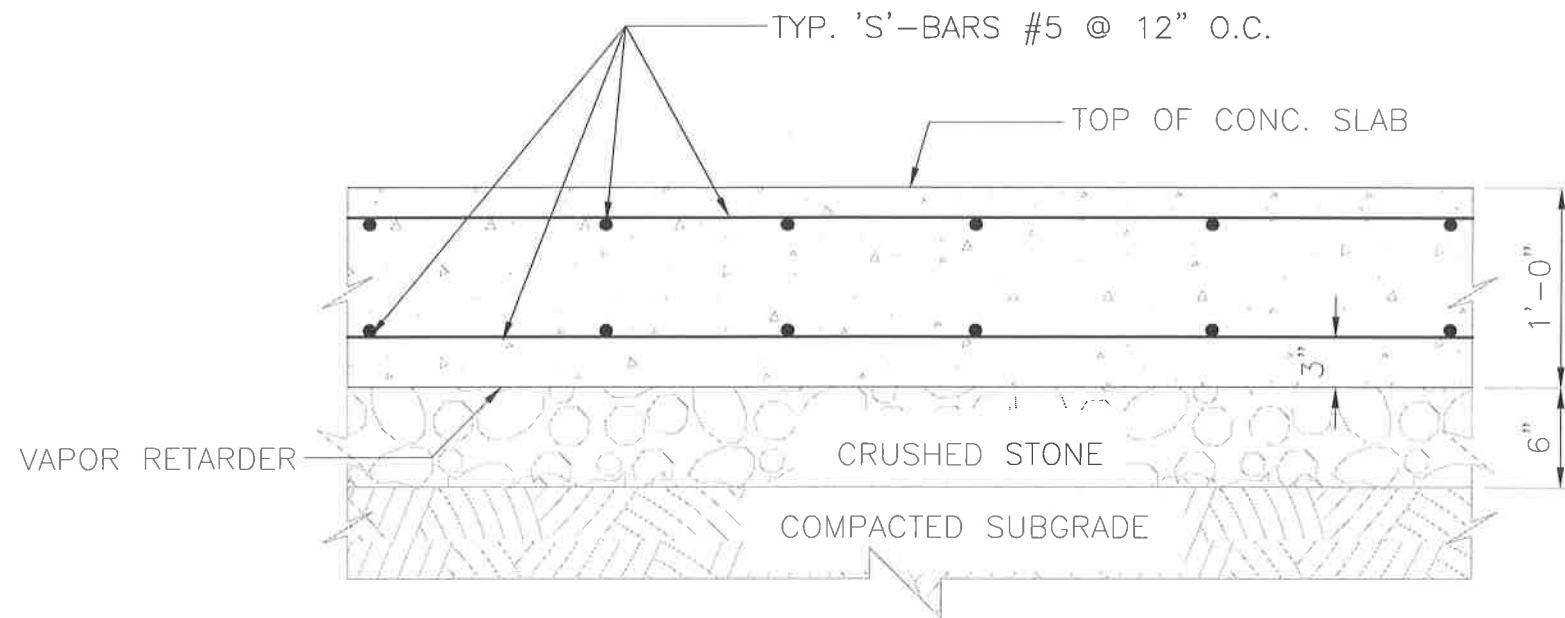
ACCEPTED FOR NYCT: \_\_\_\_\_ DATE: \_\_\_\_\_

DRAWING NO:

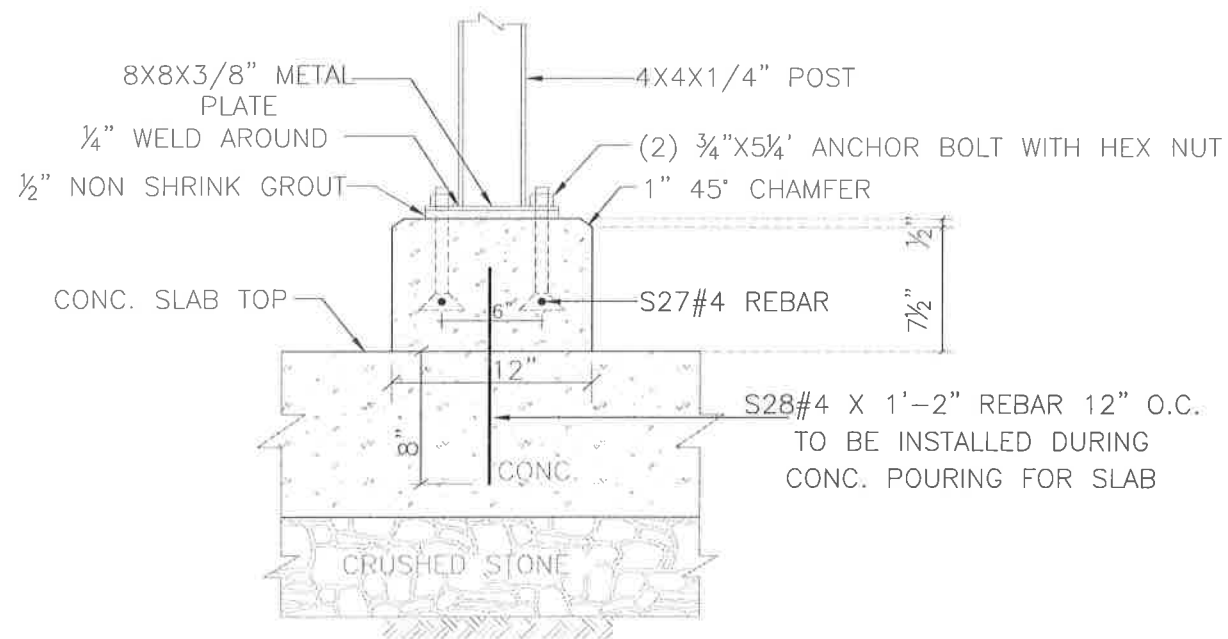
SIGNATURE \_\_\_\_\_ DATE \_\_\_\_\_

CONSTRUCTION MANAGER: \_\_\_\_\_

04 OF 06



① TYP. SLAB ON GRADE  
SCALE: 1"=1'-0"



② CURB DETAIL  
SCALE: 1"=1'-0"

CITIZEN GEN. CONTRACTORS INC  
CONTRACT # B-40500  
NEW BUS WASH AT CENTRAL MAINTENANCE FACILITY  
THE BOROUGH OF THE BRONX

SUBMITTAL NO: \_\_\_\_\_  
DATE SUBMITTED: \_\_\_\_\_  
SPEC. SECT: \_\_\_\_\_ REF. DWG: \_\_\_\_\_  
REMARKS: \_\_\_\_\_  
REVIEWED BY: \_\_\_\_\_



**CONTRACT #B-40500**  
NEW BUS WASH AT CENTRAL  
MAINTENANCE FACILITY  
IN THE BOROUGH OF THE BRONX

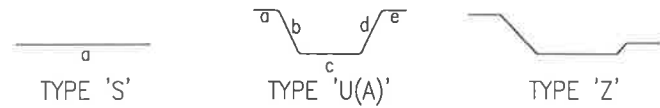
**TITLE:- DETAILS**  
**REBAR SHOP DRAWING**

CITIZEN GEN. CONTRACTORS INC.  
2081 East 57th Street,  
Brooklyn, NY 11234.  
Tel: - (718) 758-1334

CITIZEN GEN. CONTRACTORS INC. DRAWING BY	05.13.2017 DATE	R.S. CHECKED BY	05.13.2017 DATE
---	--------------------	--------------------	--------------------

ALL DETAIL HAVE BEEN CHECKED FOR CORRECTIONS:  
SIGNATURE \_\_\_\_\_ DATE \_\_\_\_\_

ACCEPTED FOR NYCT: \_\_\_\_\_ DATE: \_\_\_\_\_  
CONSTRUCTION MANAGER: \_\_\_\_\_  
**DRAWING NO:**  
05 OF 06




STRAIGHT & BENT BARS BILL OF MATERIAL

BAR MARK	SIZE	QT. IN NOS.	BAR TYPE	TOTAL LENGTH	LENGTH						REMARKS
					a	b	c	d	e	f	
S1	#4 @12"	04	S	2'-8"	2'-8"	-	-	-	-	-	HORIZONTAL BARS IN WALL (02/04)
S2	#4 @12"	03	S	3'-0"	3'-0"	-	-	-	-	-	VERTICAL BARS IN WALL (02/04)
S3	#4 @12"	04	S	3'-0"	3'-0"	-	-	-	-	-	HORIZONTAL BARS IN WALL (01/04)
S4	#4 @12"	04	S	3'-2"	3'-2"	-	-	-	-	-	VERTICAL BARS IN WALL (01/04)
S5	#4 @12"	08	S	8'-2"	8'-2"	-	-	-	-	-	BARS IN SLAB (01/04)
S5A	#4 @12"	06	S	5'-9"	5'-9"	-	-	-	-	-	BARS IN SLAB (01/04)
S6	#4 @12"	14	S	4'-9"	4'-9"	-	-	-	-	-	BARS IN SLAB (01/04)
S6A	#4 @12"	06	S	2'-11"	2'-11"	-	-	-	-	-	BARS IN SLAB (01/04)
S7	#5 @12"	18	S	1'-0"	1'-0"	-	-	-	-	-	DOWEL BARS IN SLAB (01/04)
S8	#4 @12"	06	S	6'-8"	6'-8"	-	-	-	-	-	BARS IN SLAB (02/04)
S9	#4 @12"	14	S	2'-8"	2'-8"	-	-	-	-	-	BARS IN SLAB (02/04)
S10	#4 @12"	08	S	3'-0"	3'-0"	-	-	-	-	-	BARS IN SLAB (01/03)
S11	#4 @12"	26	S	11'-8"	11'-8"	-	-	-	-	-	BARS IN SLAB (01/03)
S12	#4 @12"	08	S	5'-0"	5'-0"	-	-	-	-	-	BARS IN SLAB (01/03)
S12A	#4 @12"	16	S	2'-8"	5'-0"	-	-	-	-	-	BARS IN SLAB (01/03)
S13	#4 @12"	06	S	3'-0"	3'-0"	-	-	-	-	-	BARS IN SLAB (01/03)
S13A	#4 @12"	08	S	10'-0"	10'-0"	-	-	-	-	-	BARS IN SLAB (01/03)
S14	#4 @12"	29	S	1'-6"	1'-6"	-	-	-	-	-	DOWEL BARS IN SLAB (01/03)
S15	#5 @12"	24	S	1'-0"	1'-0"	-	-	-	-	-	DOWEL BARS IN SLAB (01/03)
S16	#4 @12"	04	S	2'-8"	2'-8"	-	-	-	-	-	HORIZONTAL BARS IN WALL (01/03)
S17	#4 @12"	03	S	3'-0"	3'-0"	-	-	-	-	-	VERTICAL BARS IN WALL (01/03)
S18	#4 @12"	126	S	3'-0"	3'-0"	-	-	-	-	-	BARS IN TRENCH (01/02)
S19	#4 @12"	06	S	1'-0"	1'-0"	-	-	-	-	-	DOWEL BARS IN TRENCH (01/02)
U1(A)	#4 @12"	28	U(A)	4'-5"	0'-6"	1'-0"	1'-5"	1'-0"	0'-6"	-	BARS IN CROSS TRENCH (02/03)
S20	#4 @12"	10	S	12'-8"	12'-8"	-	-	-	-	-	BARS IN CROSS TRENCH (02/03)
S21	#4 @12"	06	S	14'-6"	14'-6"	-	-	-	-	-	LONGITUDINAL BARS (01/02)
Z1	#4 @12"	12	Z	5'-4"	2'-0"	1'-6"	1'-6"	0'-4"	-	-	LONGITUDINAL BARS @ BENDS (01/02)
S22	#4 @12"	06	S	20'-0"	20'-0"	-	-	-	-	-	LONGITUDINAL BARS (01/02)
S23	#4 @12"	06	S	15'-1"	15'-1"	-	-	-	-	-	LONGITUDINAL BARS (01/02)
U2(A)	#4 @12"	06	U(A)	6'-6"	2'-0"	0'-5"	1'-8"	0'-5"	2'-0"	-	LONGITUDINAL BARS @ BENDS (01/02)
S24	#4 @12"	06	S	6'-6"	6'-6"	-	-	-	-	-	LONGITUDINAL BARS (01/02)
S25	#4 @12"	24	S	1'-2"	1'-2"	-	-	-	-	-	SLAB BARS (03/03)
S26	#4 @12"	08	S	5'-1"	5'-1"	-	-	-	-	-	SLAB BARS (03/03)
S27	#4 @12"	02	S	17'-8"	17'-8"	-	-	-	-	-	CURB LONGITUDINAL BARS (03/03)
S28	#4 @12"	19	S	1'-2"	1'-2"	-	-	-	-	-	CURB VERT. BARS (03/03)

CITIZEN GEN. CONTRACTORS INC  
CONTRACT # B-40500  
NEW BUS WASH AT CENTRAL MAINTENANCE FACILITY  
THE BOROUGH OF THE BRONX

SUBMITTAL NO: \_\_\_\_\_  
DATE SUBMITTED: \_\_\_\_\_  
SPEC. SECT: \_\_\_\_\_ REF. DWG: \_\_\_\_\_  
REMARKS: \_\_\_\_\_  
REVIEWED BY: \_\_\_\_\_



FACILITY DIVISION  
CAPITAL PROJECTS AND  
ENGINEERING

CITIZEN GEN. CONTRACTORS INC.  
2081 East 57th Street,  
Brooklyn, NY 11234.  
Tel: - (718) 758-1334

ALL DETAIL HAVE BEEN CHECKED FOR  
CORRECTIONS:

SIGNATURE \_\_\_\_\_ DATE \_\_\_\_\_

**CONTRACT #B-40500**  
NEW BUS WASH AT CENTRAL  
MAINTENANCE FACILITY  
IN THE BOROUGH OF THE BRONX

**TITLE:- BILL OF MATERIAL**

CITIZEN GEN. CONTRACTORS INC. DRAWING BY _____	05.13.2017 DATE	R.S. CHECKED BY _____	05.13.2017 DATE
---	--------------------	--------------------------	--------------------

ACCEPTED FOR NYCT: \_\_\_\_\_ DATE: \_\_\_\_\_  
CONSTRUCTION MANAGER: \_\_\_\_\_

DRAWING NO:  
06 OF 06